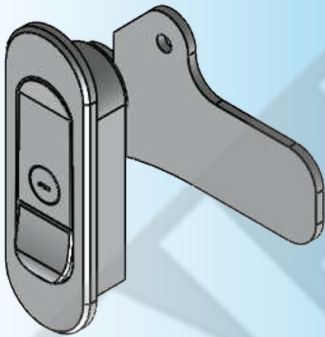


For Product Step File or 3D Model Send a Request Mail To info@nrack.com

Photo View

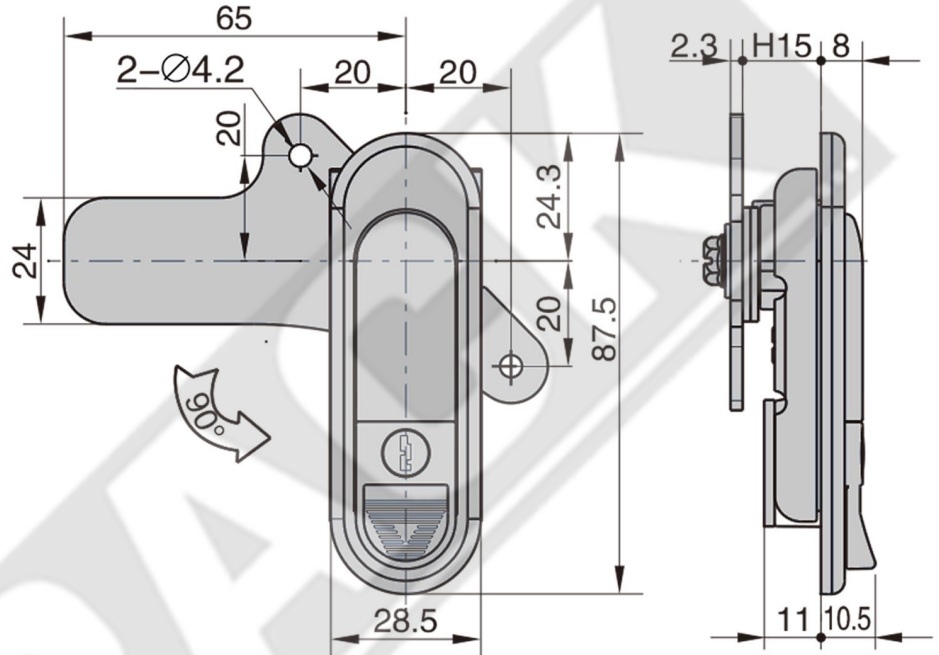


3D Rendered View



AB 301-3-1

- Material: Zinc DieCasting-Body,Shaft, Steel-Cam,Fixing parts Steel Key.
- Finish: Chrome Plating



■ Cut Out

